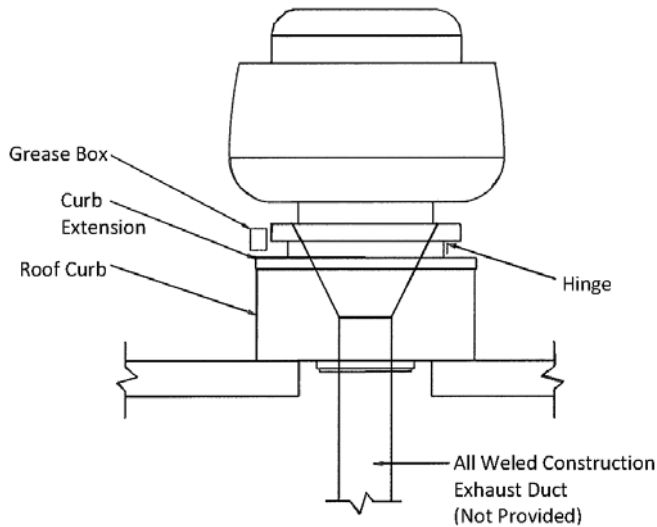


## Model: VSP Eyebrow Hood

Available for all gas rotisserie models



Two speed exhaust fan assembly  
shown with flat roof curb



SPK-1000 with VSP eyebrow hood shown

**EXHAUST DUCT FROM HOOD TO EXHAUST FAN IS NOT PROVIDED.**

### Standard Features:

- Stainless steel construction.
- 2-speed fan (1320cfm/2000cfm).
- Curb (flat or pitched) and vented extension, hinge kit and a grease capture trough.
- Filters.

### Optional Features:

- Ansil ready (pre-piped and includes nozzles only).
- Larger CFM fan for excess duct runs or runs with multiple bends/elbows.



Southern Pride Distributing, LLC  
401 S Mill St  
Alamo, TN 38001  
Phone: 731.696.3175  
Fax: 731.696.3180  
www.southernpride.com

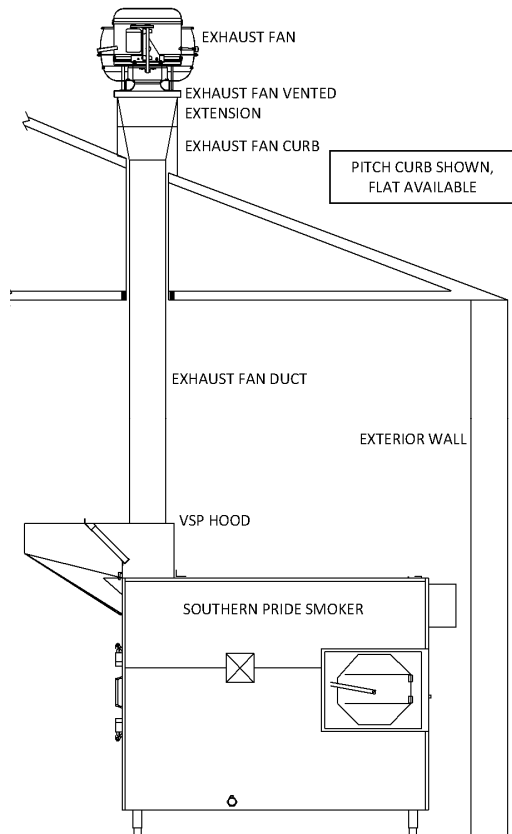
REVISED: January 2016

An ongoing program of product improvement may require us to change specifications without notice.

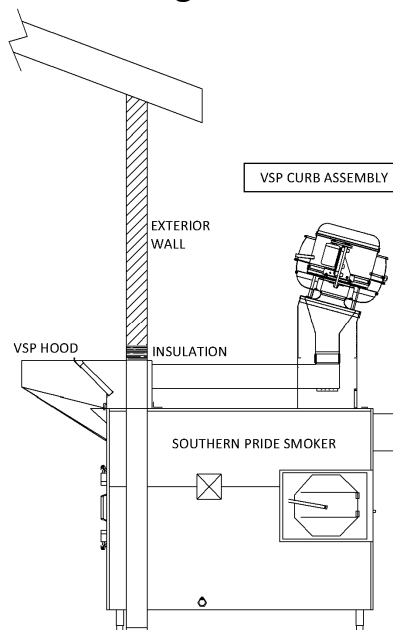
© 2015 Southern Pride Distributing, LLC

# Model: VSP Eyebrow Hood

Available for all gas rotisserie models



**Indoor Installation  
Top Discharge System**

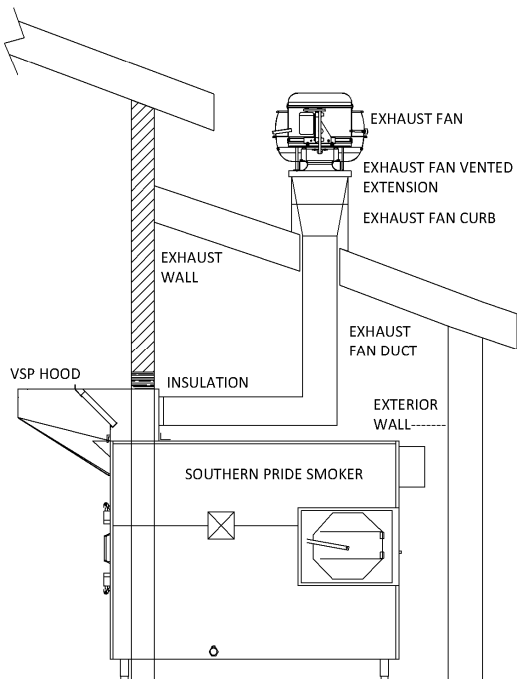


**Self-Supported Rear Discharge System \***  
(SPK-1400 only, per International Mechanical Code 506.3.12.3  
60" minimum between exterior wall and VSP curb assembly)

## REQUIREMENTS

### IMPORTANT:

- The smoker must have a front flue configuration.
- The smoker must be vented in accordance with the Owner's Manual and the installation must comply with NFPA® 96 and all relevant local and national codes and in a manner acceptable to the authority having jurisdiction.
- Provisions must be made for adequate air supply for the smoker. If the smoker is to be installed in a sealed room or building utilizing exhaust fans, the room must be supplied with a return air system. Return air must be equal or in excess of the exhausted air.
- The smoker should be positioned to provide a direct, or shortest, path to the outside for the exhaust duct.
- VSP eyebrow hoods can be utilized in stand-alone or through the wall applications.
- Applications with a straight run exhaust length in excess of 30 feet between the VSP eyebrow hood and the fan assembly, and/or applications with more than one bend/elbow in the exhaust duct may require a larger CFM fan.
- Exhaust fans larger than the VSP standard will require more than 120 volt power and/or 20 amps. Fans requiring additional power can not be powered by the smoker. Additional wiring will be required.



**Through the Wall Installation \***  
**Rear Discharge System**

\* The smoker Owner's Manual contains important information regarding the installation of smokers in through the wall applications.